

8 RELAY BOARD FOR IR/RF INTERFACE C007

8 Relay Board for IR/RF Interface kit offers 8 relay output control for your project.

- Eight 12V Single Pole Double Throw (SPDT) relays
- Transistor driven control with LED indication
- Diode protection for Back EMF generated
- 3-Pin PBT connector for easy connection of all relay contact pins
- PBT connector for easy connection of the input power supply
- Onboard 5V @ 1A regulator IC to source supply to connecting interfaces
- 10-Pin well marked relimate/berg connector for ease of connection
- Power-On LED indicator
- PCB dimensions 101 mm x 110 mm



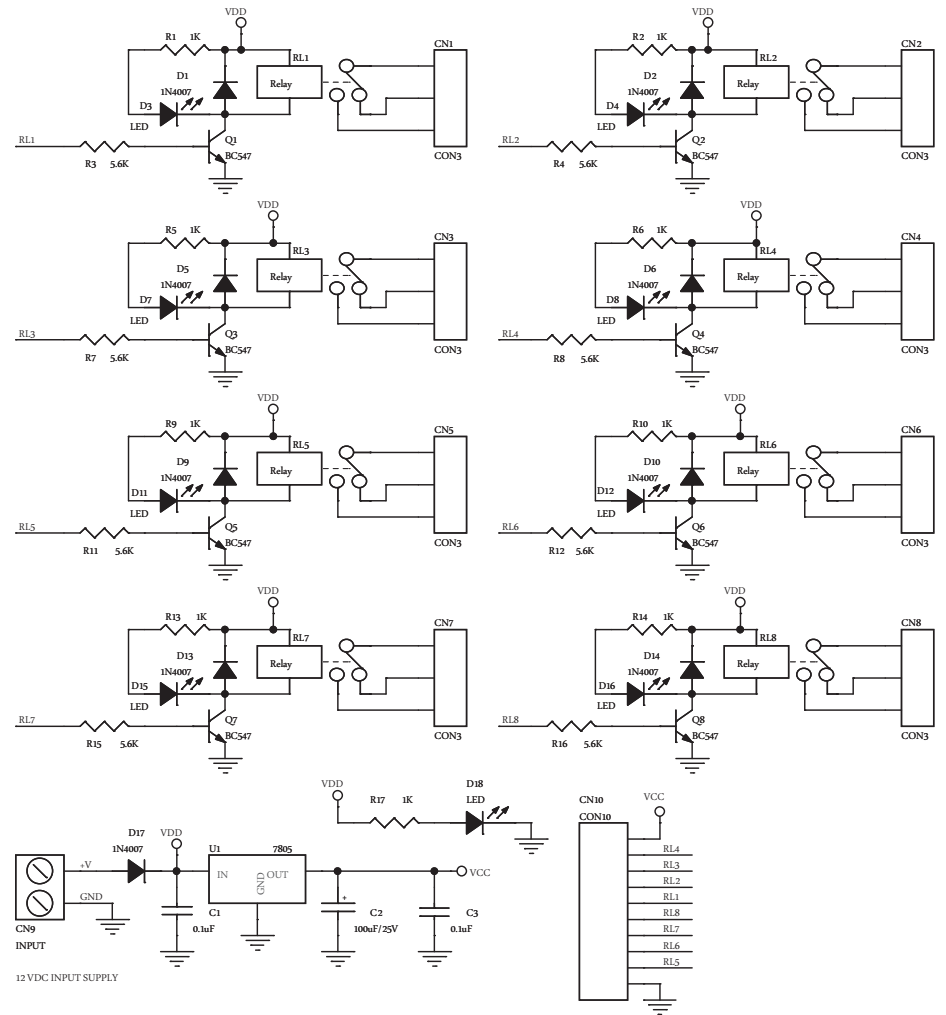
This is a general purpose relay board accepting 8 inputs to drive 8 relays providing control requirement in your project. This board can also be used as an add-on card for the various Development board that we provide and otherwise.

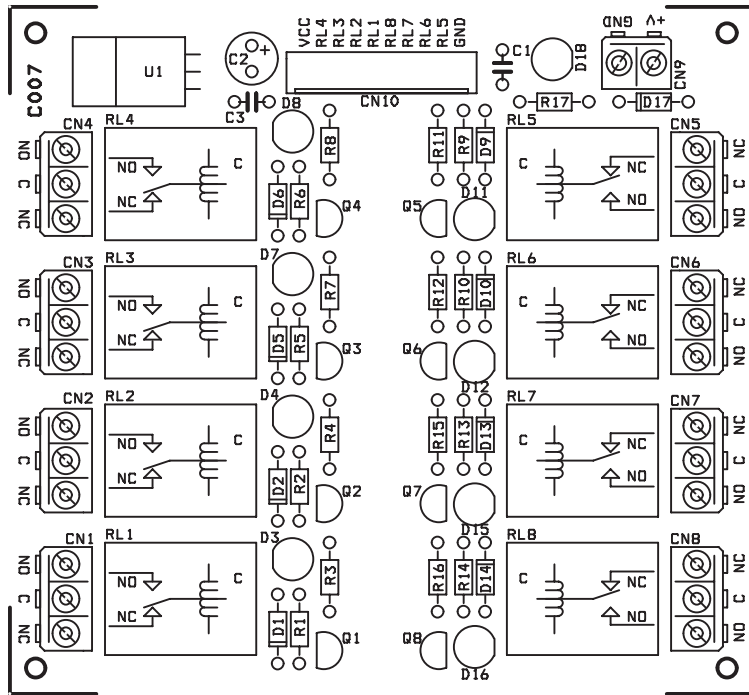
Some of the feature of this relay board are

1. Robust Design using NPN transistor to drive each relay
2. Relay On Indicator LED for each of the eight relays
3. Back EMF / Surge protection diode across each relay to protect driving circuit
4. 3 Pin PBT connector for connecting load to the relay
5. Reverse polarity protection diode (D17) provided
6. 2 pin PBT connector provides easy connection of power source to the PCB
7. On Board Voltage Regulator U1 (7805) provides +5 VDC supply to ongoing interface circuit connected to this board
8. A 10 pin Relimate/Berg connector provides easy connect of this PCB to the driving interface

Please refer to the schematic diagram for the configuration of this board.

The kit includes all components required for the project except power supply and cabinet. Please check the components supplied to you as per the BOM "Bill of Material" listed in this document. Component legends and In/Out port pins are clearly printed on the PCB.





SR.	QTY.	REF.	DESCRIPTION
1	8	CN1,CN2,CN3,CN4,CN5,CN6,CN7,CN8	3 PIN PBT CONNECTOR
2	1	CN9	2 PIN PBT CONNECTOR
3	1	CN10	10 PIN RELIMATE/BERG CONNECTOR
4	2	C1,C3	0.1uF
5	1	C2	100uF/25V
6	9	D1,D2,D5,D6,D9,D10,D13,D14,D17	1N4007
7	9	D3,D4,D7,D8,D11,D12,D15,D16,D18	RED LED
8	8	Q1,Q2,Q3,Q4,Q5,Q6,Q7,Q8	BC547
9	8	RL1,RL2,RL3,RL4,RL5,RL6,RL7,RL8	12V RELAY
10	9	R1,R2,R5,R6,R9,R10,R13,R14,R17	1K
11	8	R3,R4,R7,R8,R11,R12,R15,R16	5.6K
12	1	U1	7805
13	1	SCREW	SC02905
14	1	NUT	NT02900