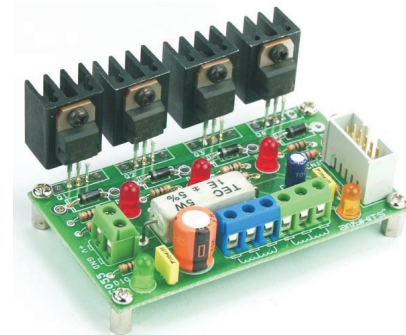
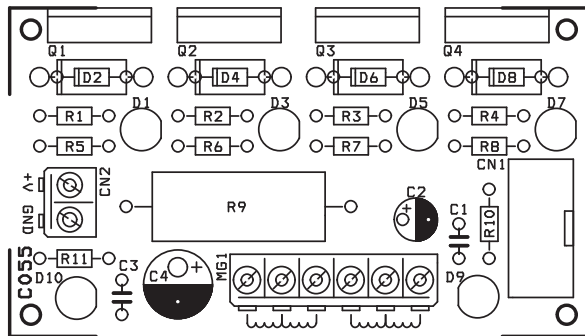
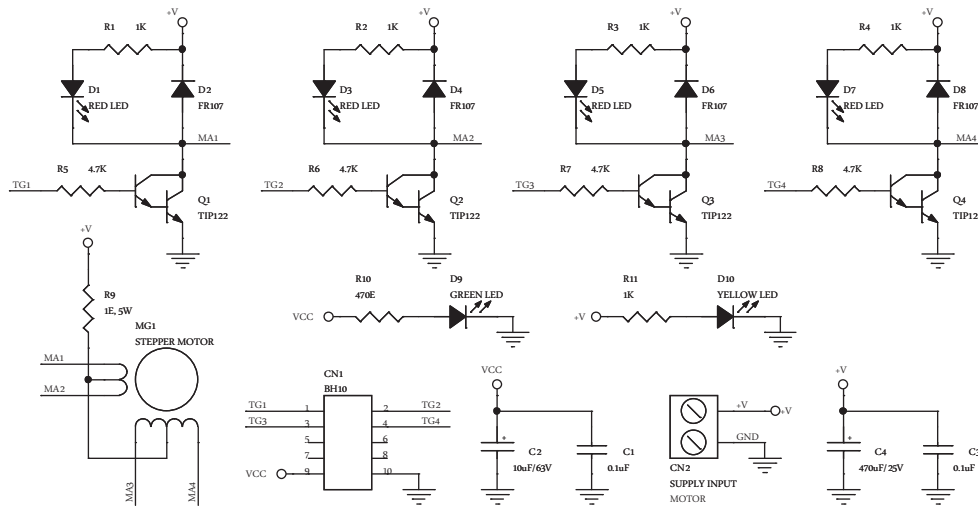


# UNIPOLAR 4-PHASE STEPPER MOTOR CONTROLLER BOARD *C055*



Unipolar 4-Phase Stepper Motor Controller Board will help you control a Stepper Motor or 4 individual Solenoids.

- Box Header (IDC) connector provides for easy interfacing option
- Separate LED indicator for individual Phase
- Screw terminal connector for easy connection of output load and power supply input
- Power-On LED indicator
- Four mounting holes of 3.2 mm each
- PCB dimensions 86 mm x 49 mm



SR.	QTY.	REF.	DESCRIPTION
1	1	CN1	10 PIN BOX HEADER CONNECTOR
2	1	CN2	2 PIN SCREW TERMINAL CONNECTOR
3	2	C1,C3	0.1uF
4	1	C2	10uF/63V
5	1	C4	470uF/25V
6	4	D1,D3,D5,D7	RED LED
7	4	D2,D4,D6,D8	FR107
8	1	D9	YELLOW LED
9	1	D10	GREEN LED
10	1	MG1	6 PIN SCREW TERMINAL CONNECTOR
11	4	Q1,Q2,Q3,Q4	TIP122
12	5	R1,R2,R3,R4,R11	1K
13	4	R5,R6,R7,R8	4.7K
14	1	R9	1E, 5W
15	1	R10	470E
16	4	HEATSINK	HS04019
17	8	SCREW	SC02905
18	4	STUD	ST05008